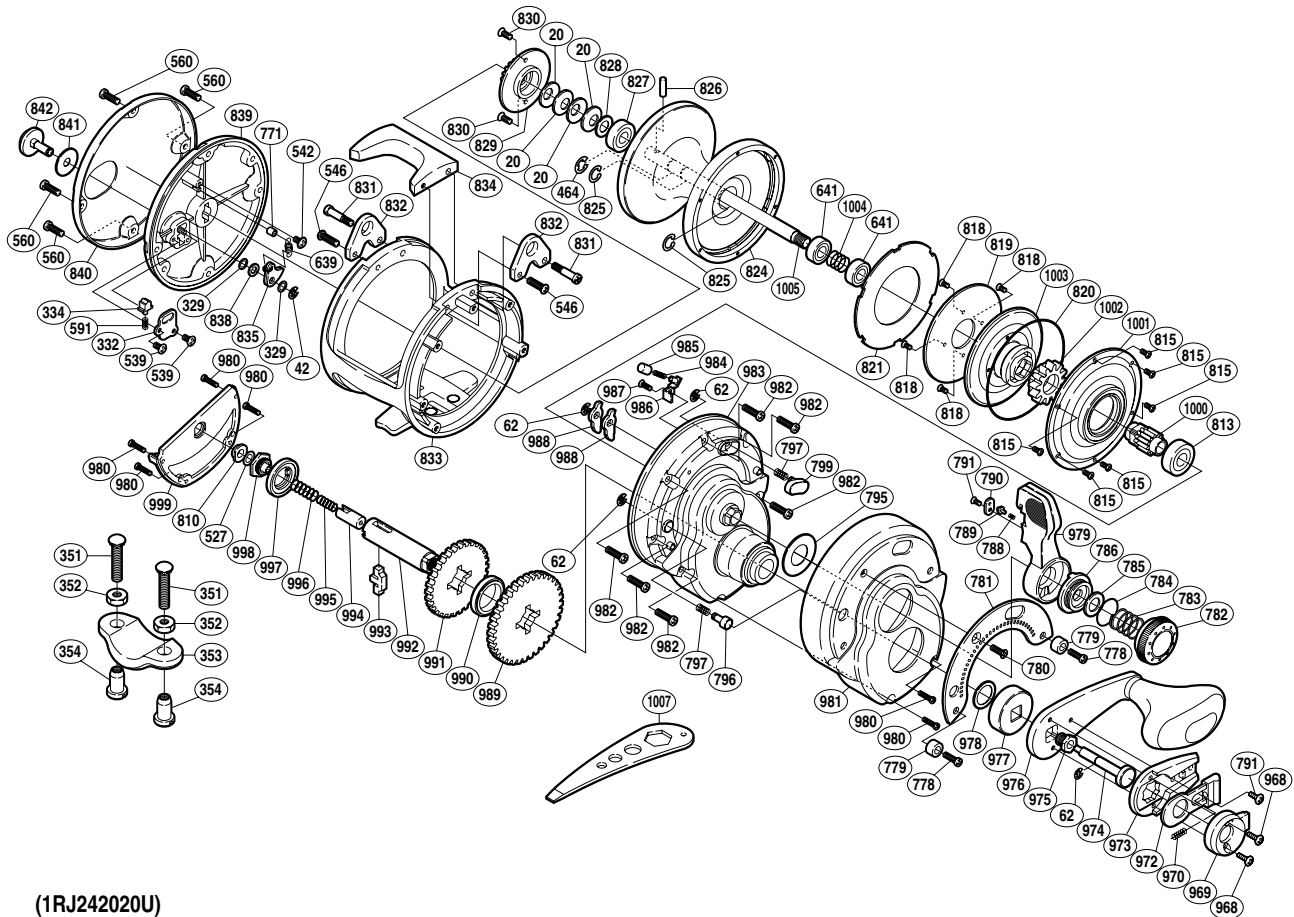


SHIMANO®

TYRNOS A-RB

TYR-20II



(1RJ24202U)

Part No.	Description	Part No.	Description	Part No.	Description
TGT0020	Coned Disc Spring	TGT0813	Ball Bearing	TGT0979	Drag Control Lever
TGT0042	E Lock	TGT0815	Screw	TGT0980	Screw
TGT0062	E Lock	TGT0818	Screw	TGT0981	Right Side Plate Cover
TGT0329	Spacer	TGT0819	Drag Plate	TGT0982	Screw
TGT0332	Click Spring Retainer	TGT0820	O Ring	TGT0983	Right Side Plate
TGT0334	Click Spring Holder	TGT0821	Drag Washer	TGT0984	Dog Spring
TGT0464	E Lock	TGT0824	Spool	TGT0985	Dog Spring Guide
TGT0527	Spacer	TGT0825	C Lock	TGT0986	Guard Against Dog
TGT0539	Screw	TGT0826	Cross Pin	TGT0987	Screw
TGT0542	Screw	TGT0827	Ball Bearing	TGT0988	Dog
TGT0546	Screw	TGT0828	Bearing Thrust Washer	TGT0989	Drive Gear A
TGT0560	Screw	TGT0829	Click Gear	TGT0990	Friction Washer
TGT0591	Click Spring	TGT0830	Screw	TGT0991	Drive Gear B
TGT0639	Click Pawl Spring	TGT0831	Harness Lug Screw	TGT0992	Drive Shaft
TGT0641	Ball Bearing	TGT0832	Harness Lug	TGT0993	Gear Select Cross Bar
TGT0771	Click Pawl Spring Boss Ring	TGT0833	One-Piece Frame	TGT0994	Cross Bar Stop
TGT0778	Screw	TGT0834	Cross Bar	TGT0995	Drive Shaft Spring B
TGT0779	Screw Shield	TGT0835	Click Pawl	TGT0996	Drive Shaft Spring
TGT0780	Screw	TGT0838	Spacer	TGT0997	Friction Washer
TGT0781	Lever Quadrant	TGT0839	Left Side Plate	TGT0998	Drive Shaft Screw
TGT0782	Pre-Program Dial	TGT0840	Left Side Plate Cover	TGT0999	Right Side Seal
TGT0783	Dial Spring	TGT0841	Click Button Spacer	TGT1000	Pinion Gear A
TGT0784	O Ring	TGT0842	Click Button	TGT1001	Cooling Shield
TGT0785	Washer	TGT0968	Screw	TGT1002	Pinion Gear B
TGT0786	Lever Shaft Body	TGT0969	Push Button Shield	TGT1003	Pinion Guard
TGT0788	Lever Click Shoe	TGT0970	Slide Plate Spring	TGT1004	Pressure Release Spring
TGT0789	Lever Click	TGT0971	Screw	TGT1005	Spool Shaft
TGT0790	Lever Click Cover	TGT0972	Slide Plate		
TGT0791	Screw	TGT0973	Handle Bolt Plate	TGT0351	Rod Clamp Bolt (accessory)
TGT0795	Lever Thrust Ring	TGT0974	Push Low Button Shaft	TGT0352	Rod Clamp Nut B (accessory)
TGT0796	Free Spool Detent	TGT0975	Handle Bolt	TGT0353	Rod Clamp (accessory)
TGT0797	Pressure Spring	TGT0976	Handle	TGT0354	Rod Clamp Nut A (accessory)
TGT0799	Strike Stop	TGT0977	Drive Shaft Shield		
TGT0810	Drive Shaft Bushing	TGT0978	Washer	TGT1007	Wrench (accessory)

(170909)