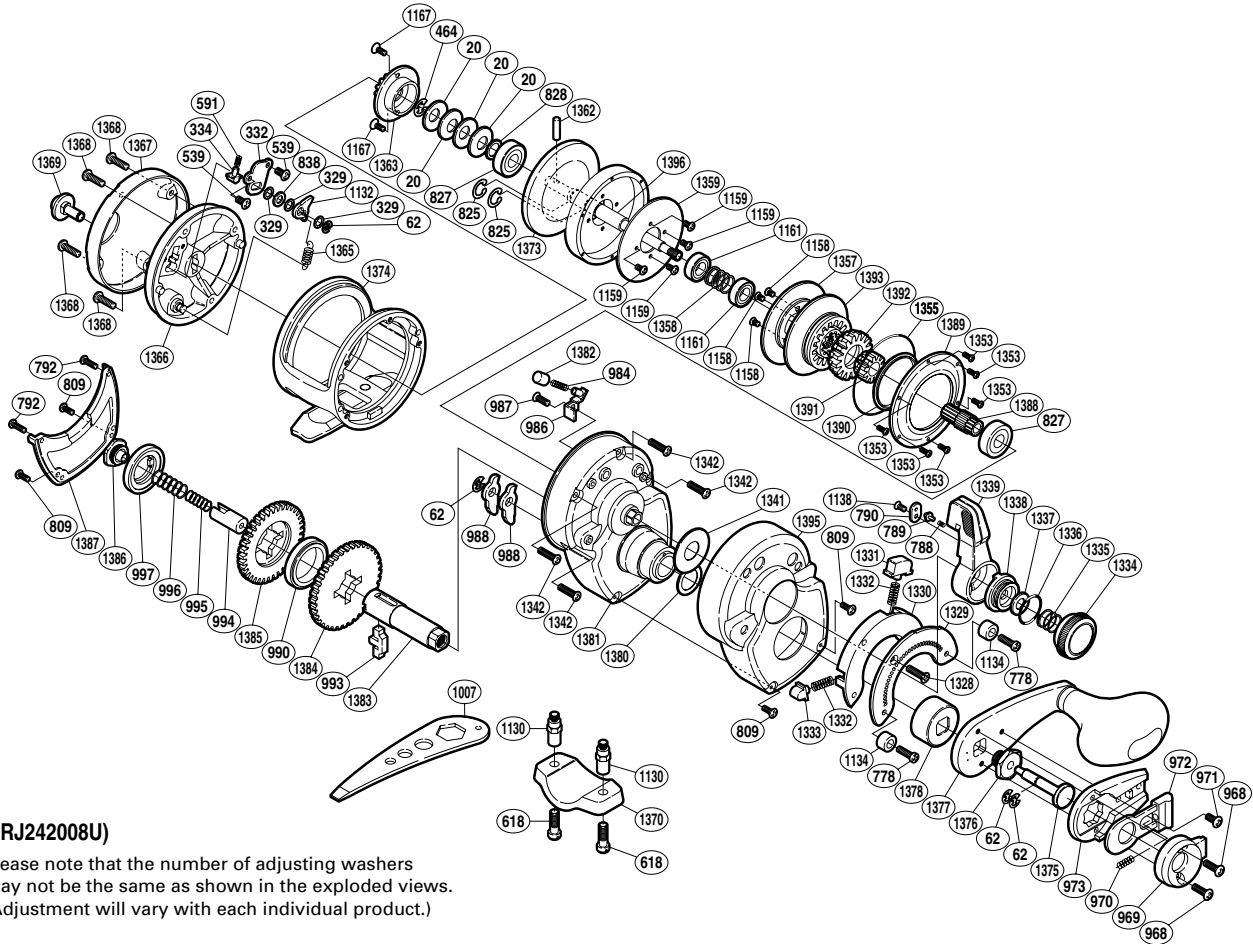


# SHIMANO

## TYRNOS A-RB

## TYR-8II



(1RJ242008U)

Please note that the number of adjusting washers may not be the same as shown in the exploded views. (Adjustment will vary with each individual product.)

| Part No. | Description           | Part No. | Description             | Part No. | Description                    |
|----------|-----------------------|----------|-------------------------|----------|--------------------------------|
| TGT0020  | Coned Disc Spring     | TGT0996  | Drive Shaft Spring      | TGT1367  | Left Side Plate Cover          |
| TGT0062  | E Lock                | TGT0997  | Friction Washer         | TGT1368  | Screw                          |
| TGT0329  | Spacer                | TGT1132  | Click Pawl              | TGT1369  | Click Button                   |
| TGT0332  | Click Spring Retainer | TGT1134  | Screw Shield            | TGT1373  | Spool                          |
| TGT0334  | Click Spring Holder   | TGT1138  | Screw                   | TGT1374  | One-Piece Frame                |
| TGT0464  | E Lock                | TGT1158  | Screw                   | TGT1375  | Push Low Button Shaft          |
| TGT0539  | Screw                 | TGT1159  | Screw                   | TGT1376  | Handle Bolt                    |
| TGT0591  | Click Spring          | TGT1161  | Ball Bearing            | TGT1377  | Handle                         |
| TGT0778  | Screw                 | TGT1167  | Screw                   | TGT1378  | Drive Shaft Shield             |
| TGT0788  | Lever Click Shoe      | TGT1328  | Screw                   | TGT1380  | Washer                         |
| TGT0789  | Lever Click           | TGT1329  | Lever Quadrant          | TGT1381  | Right Side Plate               |
| TGT0790  | Lever Click Cover     | TGT1330  | Right Side Plate B      | TGT1382  | Anti-Reverse Pawl Spring Guide |
| TGT0792  | Screw                 | TGT1331  | Screw Shield            | TGT1383  | Drive Shaft                    |
| TGT0809  | Screw                 | TGT1332  | Pressure Spring         | TGT1384  | Drive Gear A                   |
| TGT0825  | C Lock                | TGT1333  | Free Spool Detent       | TGT1385  | Drive Gear B                   |
| TGT0827  | Ball Bearing          | TGT1334  | Pre-Program Dial        | TGT1386  | Drive Shaft Screw              |
| TGT0828  | Bearing Thrust Washer | TGT1335  | Dial Spring             | TGT1387  | Right Side Seal                |
| TGT0838  | Spacer                | TGT1336  | O Ring                  | TGT1388  | Pinion Gear A                  |
| TGT0968  | Screw                 | TGT1337  | Drag Cam Washer         | TGT1389  | Cooling Shield                 |
| TGT0969  | Push Button Shield    | TGT1338  | Lever Shaft Body        | TGT1390  | Waterproof Ring                |
| TGT0970  | Slide Plate Spring    | TGT1339  | Drag Control Lever      | TGT1391  | Pinion Gear B                  |
| TGT0971  | Screw                 | TGT1341  | Lever Thrust Washer     | TGT1392  | Pinion Gear C                  |
| TGT0972  | Slide Plate           | TGT1342  | Screw                   | TGT1393  | Pinion Guard                   |
| TGT0973  | Handle Bolt Plate     | TGT1353  | Screw                   | TGT1395  | Right Side Plate Cover         |
| TGT0984  | Dog Spring            | TGT1355  | O Ring                  | TGT1396  | Spool Shaft                    |
| TGT0986  | Guard Against Dog     | TGT1357  | Drag Plate              |          |                                |
| TGT0987  | Screw                 | TGT1358  | Pressure Release Spring |          |                                |
| TGT0988  | Dog                   | TGT1359  | Drag Washer             | TGT0618  | Rod Clamp Bolt (accessory)     |
| TGT0990  | Friction Washer       | TGT1362  | Cross Pin               | TGT1130  | Rod Clamp Nut (accessory)      |
| TGT0993  | Gear Select Cross Bar | TGT1363  | Click Gear              | TGT1370  | Rod Clamp (accessory)          |
| TGT0994  | Cross Bar Stop        | TGT1365  | Click Pawl Spring       |          |                                |
| TGT0995  | Drive Shaft Spring B  | TGT1366  | Left Side Plate         | TGT1007  | Wrench (accessory)             |